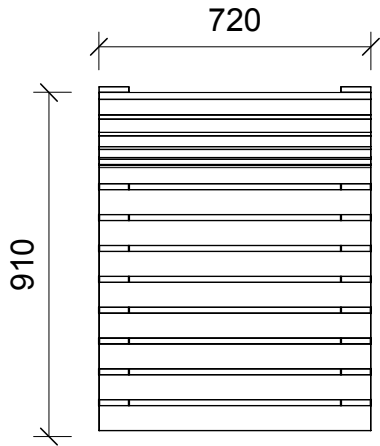
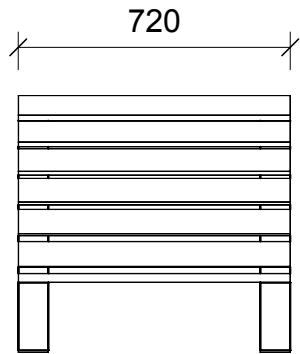


# Bench S



maten in mm

